



## EASY100/200 SERIES RAILING INSTALLATION INSTRUCTIONS

**SAFETY FIRST:** Make sure to wear protective goggles when using power tools. Use a safety harness if your work site is at an elevated location and a fall may cause an injury. It is the installer's responsibility to make sure railings are assembled and installed according to these instructions.

<b>Tools you will need:</b>	Tape Measure	#2 Square or Phillips Bit
	Power Drill	Compound Miter Saw
	Drill Bit 5/32"	Metal Snips
	Speed Square	

1. **Examine** all parts for any damage in transit. Keep the protective film for as long as practical during the assembly. READ all the instructions before starting.

2. **Determine and mark locations of posts**, which should be 6' apart (on center) for whole (uncut) sections. Make adjustments for shorter sections.

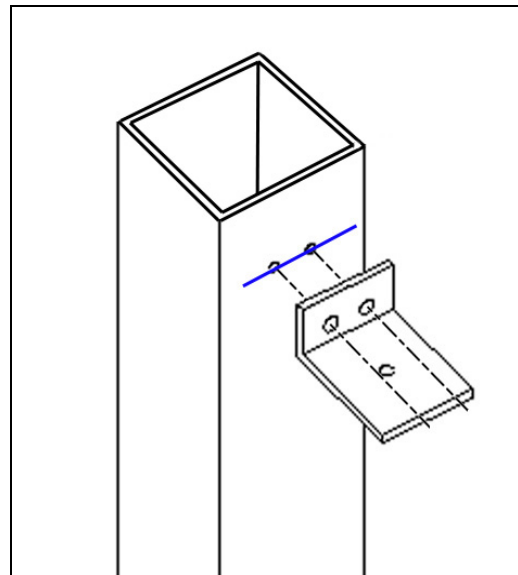
3. **Mark and drill pilot holes for Connector Brackets**

**ATTENTION!** Post location (line, corner, end) determines which sides need to be drilled.

EASY100 36"H: Measure and draw two lines: 2-1/2" and 34-3/8" from the top of the post.

EASY100 42"H: Measure and draw two lines: 2-1/2" and 40-3/8" from the top of the post.

EASY200 42"H: Measure and draw three lines: 2-5/8", 7-11/16" and 39-13/16" from the top of the post.



**Fig 1**

Using a speed square, mark hole centers at 3/4" and 1-1/4" measured from a post side. See Fig 1. Drill pilot holes with a 5/32 drill bit. **Tip:** For multiple posts make a drilling template.

4. **Install Posts** **ATTENTION!** A proper safe installation must have sufficient blocking, backing plate, or other reinforcements to reliably support posts.

**Deck mount posts:** the surface under post flanges must be flat. If necessary holes in the flange can be drilled out for 1/4" fasteners. To avoid material stress all fasteners must be attached perpendicular to the flange. Never try to "adjust" posts by attempting to bend after attaching posts to the deck.

**Fascia posts:** make sure posts are at the same height above the deck: measure and mark 38" (36"H install) or 44" (for 42"H install) from the top of the post (this is your deck level). Insert plastic plugs into the bottom ends of the posts. Drill small drainage holes in the plugs centers. Make sure all posts are plumb.

**ACQ Lumber:** Check with your lumber supplier to determine if your newer deck is built with ACQ lumber. Its copper-based preservative has a corrosive effect on aluminum, and a physical barrier (thick poly film, etc.) is required for post surfaces in direct contact with your deck.

Attach posts to the deck using stainless steel hardware that is appropriate for the site conditions (examples: stainless steel lag screws, hex bolts, etc., not included).

**DO NOT TIGHTEN** the fasteners yet.

- 5. Cut Rails** (if needed). Carefully measure and record distance between posts where shorter sections are needed. Leave 1-5/8" or more from each end to the nearest pair of predrilled holes. This can be accomplished by choosing the center of the rail either at a center picket or at a midway point between two pickets. For additional help with cutting rails visit [www.easyrailings.com/resource.html](http://www.easyrailings.com/resource.html)

Cut top and bottom rails to your measurements. For best results use a miter saw with a thin kerf carbide blade. Drill connector holes on both ends of top and bottom rails.

- 6. Picket Section Assembly:** Drive #8x1" screws (3), through pre-drilled holes in the top and bottom rails (2) into screw chases in the pickets.

**Tip:** For easier assembly put a rail on two supports, secure temporarily with clamps or screws. Insert all screws in the holes; drive screws in the channels. Do not over-tighten. Lay the rail with pickets on a side, attach the other rail.

- 7. Attach Assembled Picket Sections to Posts:** See Fig 3. Attach bottom Connector Brackets (4b) to opposing posts. Set the picket section on the bottom brackets, and attach top Connector Brackets (4u) to the posts, using supplied #10x3/4" screws (5).

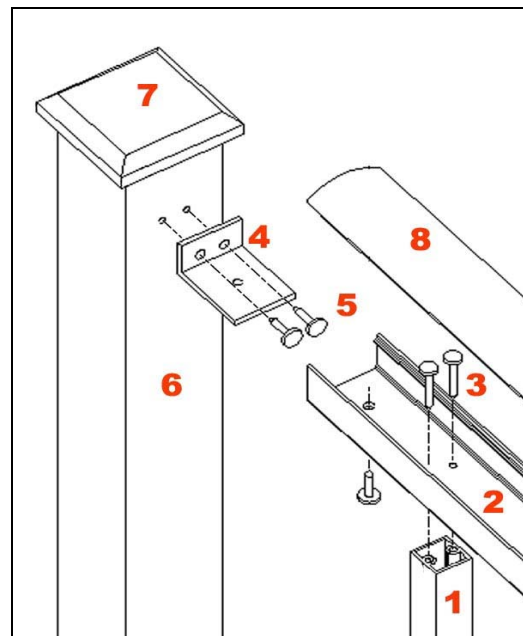


Fig 2

Secure top and bottom rails with same screws through pre-drilled holes.

EASY200 42" ONLY: see separate Top Rail Installation Instructions.

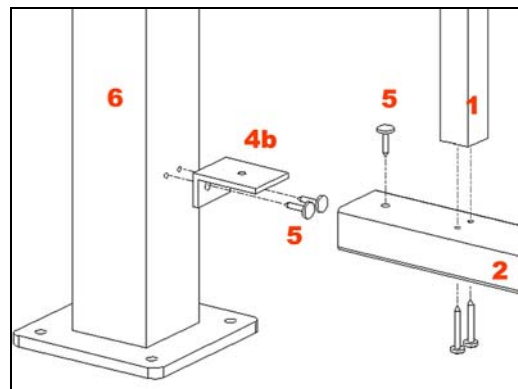
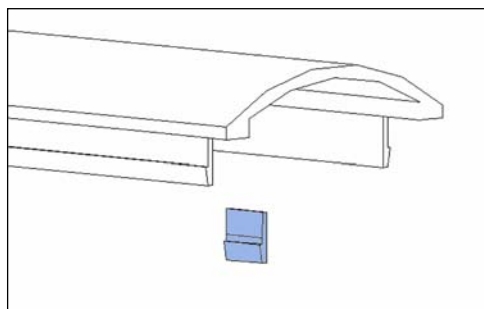


Fig 3

8. Remove the remaining protective wrap, check and tighten all connections. For the rounded top cover (HR15) snip off about 1/4" of the connecting rail as shown on Fig 4. Place covers (8) on the top rails and snap them firmly into place.

Place caps (7) on the posts. Put a piece of soft lumber on a cap and tap gently with a hammer until the cap is fully set on the post. You are done!



**Fig 4**